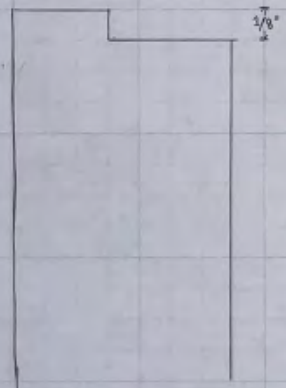
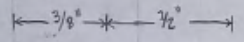
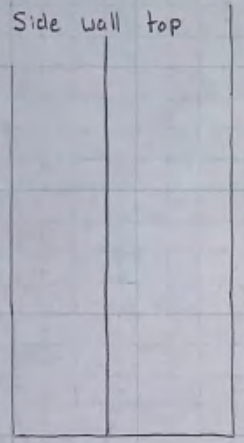


Detail A

Rain gutter

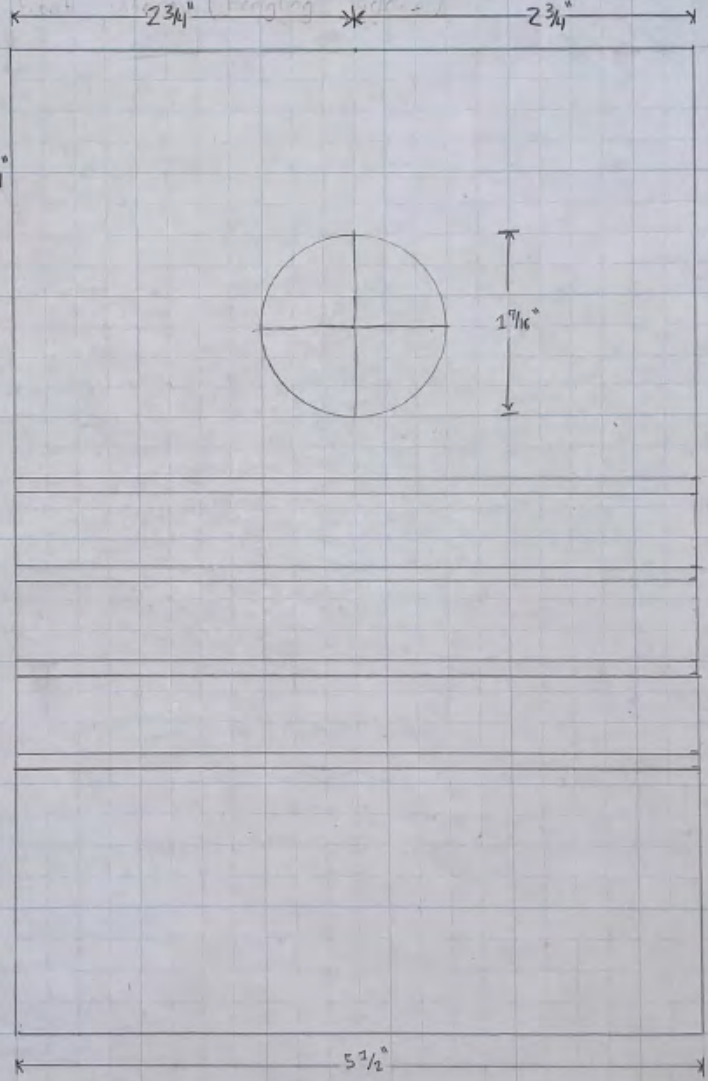


Side Wall Side

Scale: 2" = 1"

Detail B

Front interior (fledgling ladder)



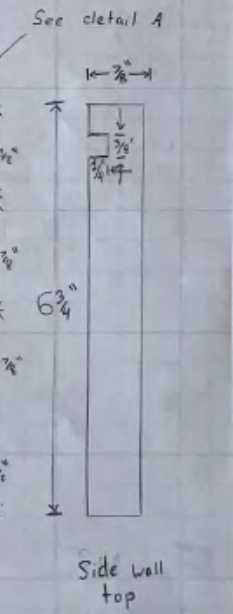
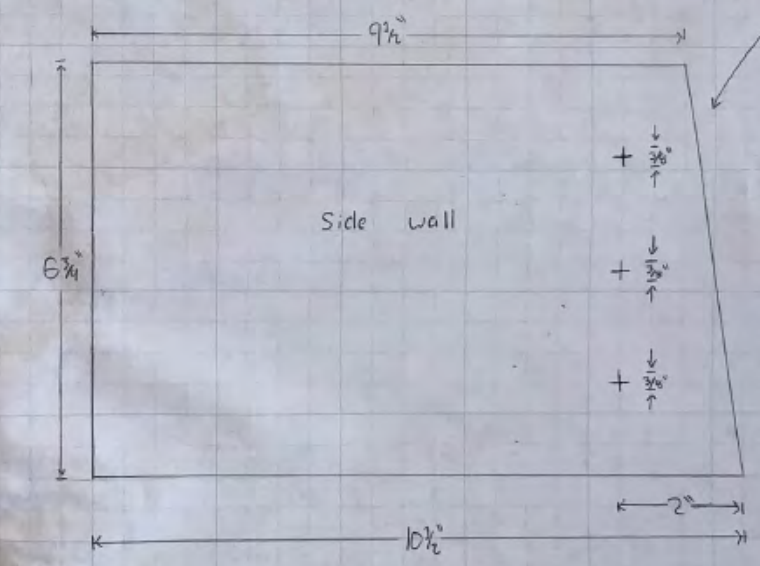
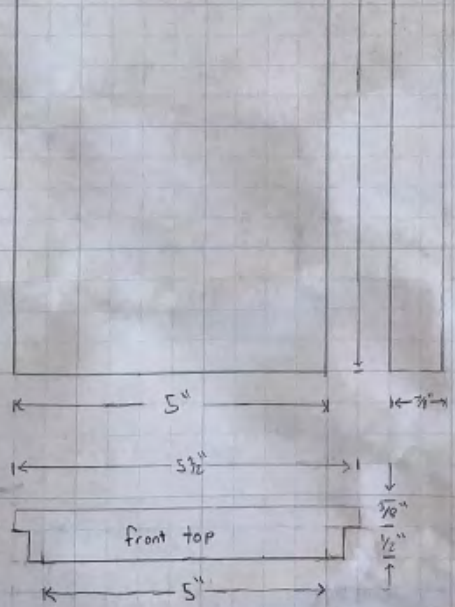
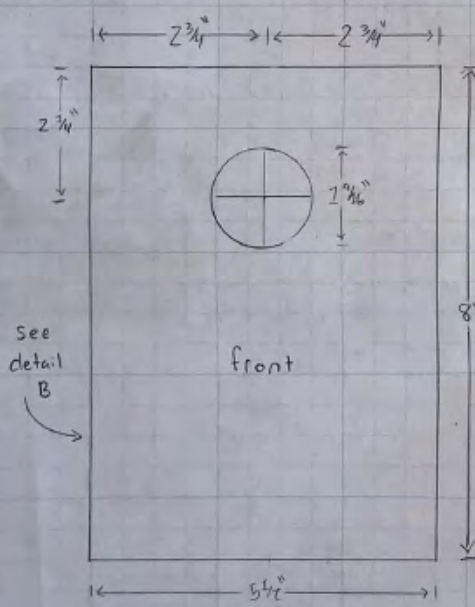
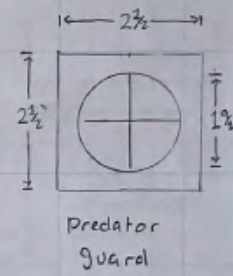
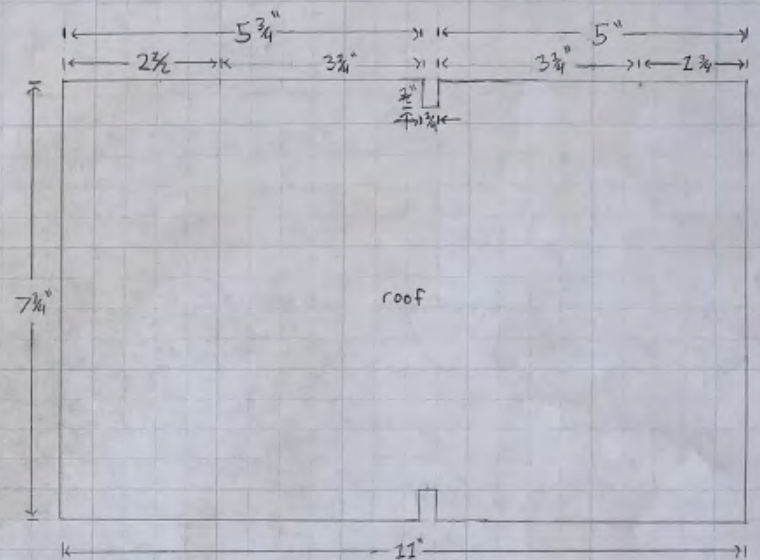
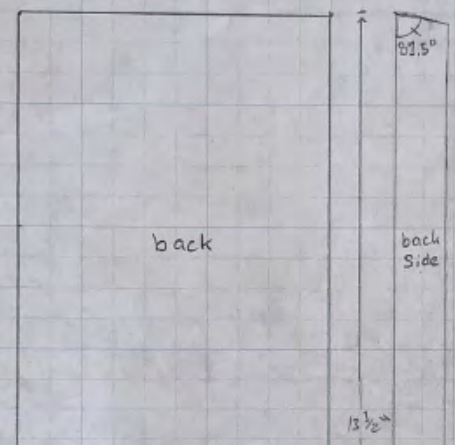
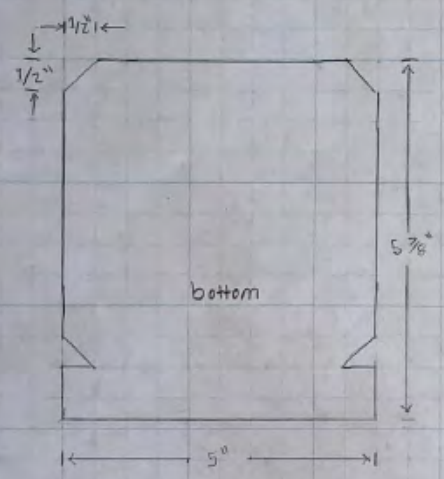
1/8" deep grooves

Scale: 1" = 1"

Material list

- (1x) 7/8" x 7 1/2" x 6' cedar fence board
- (9x) #2 1 5/8" exterior screws
- (2x) #6 1 1/2" sheet metal screws (for attaching predator guard)
- (2x) 3/4" x 3" 9/64" L screws

Mountain Bluebird Birdhouse



Scale: 1/2" = 1"